



24" IPS 3-side borderless monitor with height adjustable stand

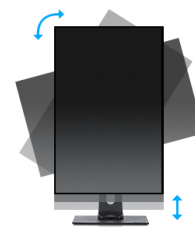
The stylish edge-to-edge design makes the ProLite XUB2493QSU perfect for multi-monitor set-ups. The IPS panel technology offers accurate and consistent colour reproduction with wide viewing angles. High contrast and brightness values mean the monitor will provide excellent performance for photographic and web design. A 150mm height-adjustable stand featuring pivot and swivel functions deliver great versatility and comfort of use.

The XUB2493QSU offers WQHD (2560 x 1440) resolution meaning the screen can accommodate almost 77% more information than a Full HD display. It is a great choice for both multi-monitor Digital Signage and office applications.



IPS Technology

IPS displays are best known for wide viewing angles and natural, highly accurate colours. They are especially suited for colour-critical applications.



HAS (150mm) + Pivot (rotation both sides)

With a height adjustable stand you will create an ergonomic work posture and position that meets all health and safety requirements. This will not only prevent any health issues but will also increase your productivity. The pivot function allows the screen to rotate from landscape to portrait orientation. This functionality can be useful if the application requires more height than width.

01 DISPLAY CHARACTERISTICS

Design	3-side borderless
Diagonal	23.8", 60.5cm
Panel	IPS panel technology LED, matte finish
Native resolution	2560 x 1440 @60Hz (2.3 megapixel WQHD)
Aspect ratio	16:9
Panel brightness	300 cd/m ²
Static contrast	1000:1
Advanced contrast	80M:1
Response time (GTG)	4ms
Viewing zone	horizontal/vertical: 178°/178°, right/left: 89°/89°, up/down: 89°/89°
Colour support	16.7mIn (sRGB: 96%; NTSC: 72%)
Horizontal Sync	15 - 90kHz
Viewable area W x H	526.9 x 296.4mm, 20.7 x 11.7"
Pixel pitch	0.206mm
Colour	matte, black (matte, black)

02 INTERFACES / CONNECTORS / CONTROLS

Signal input	HDMI x1 DisplayPort x1
USB HUB	x3 (v.3.0 (DC5V, 900mA))
HDCP	yes
Headphone connector	yes

03 FEATURES

Blue light reducer	yes
Flicker free	yes
Extra	i-style Colour
OSD languages	EN, DE, FR, ES, IT, RU, JP, CZ, NL, PL
Control buttons	Power, Menu, + / Volume, - / Eco, Exit / i-Style, Input
User controls	picture adjust (brightness, contrast, Eco, blue light reducer, ACR, OD, gamma, X-Res technology), colour settings (colour temp., user preset, hue, saturation, i-Style colour), OSD (OSD H. position, OSD V. position, OSD rotate, OSD time, after AC cut), language, recall, miscellaneous (sharp and soft, video mode adjust, opening logo, DC/CI, RGB range, display information) input select (source), audio settings (volume, mute)
Speakers	2 x 2W
Convenience	Kensington-lock™ prepared, DDC/CI, DDC2B, Mac OSX

04 MECHANICAL

Display position adjustments	height, swivel, tilt, pivot (rotation both sides)
Height adjustment	150mm
Rotation (PIVOT function)	90°
Swivel stand	90°; 45° left; 45° right
Tilt angle	23° up; 5° down
VESA mounting	100 x 100mm
Cable management system	yes

05 ACCESSORIES INCLUDED

Cables	power, USB, HDMI, DP
Other	quick start guide, safety guide

06 POWER MANAGEMENT

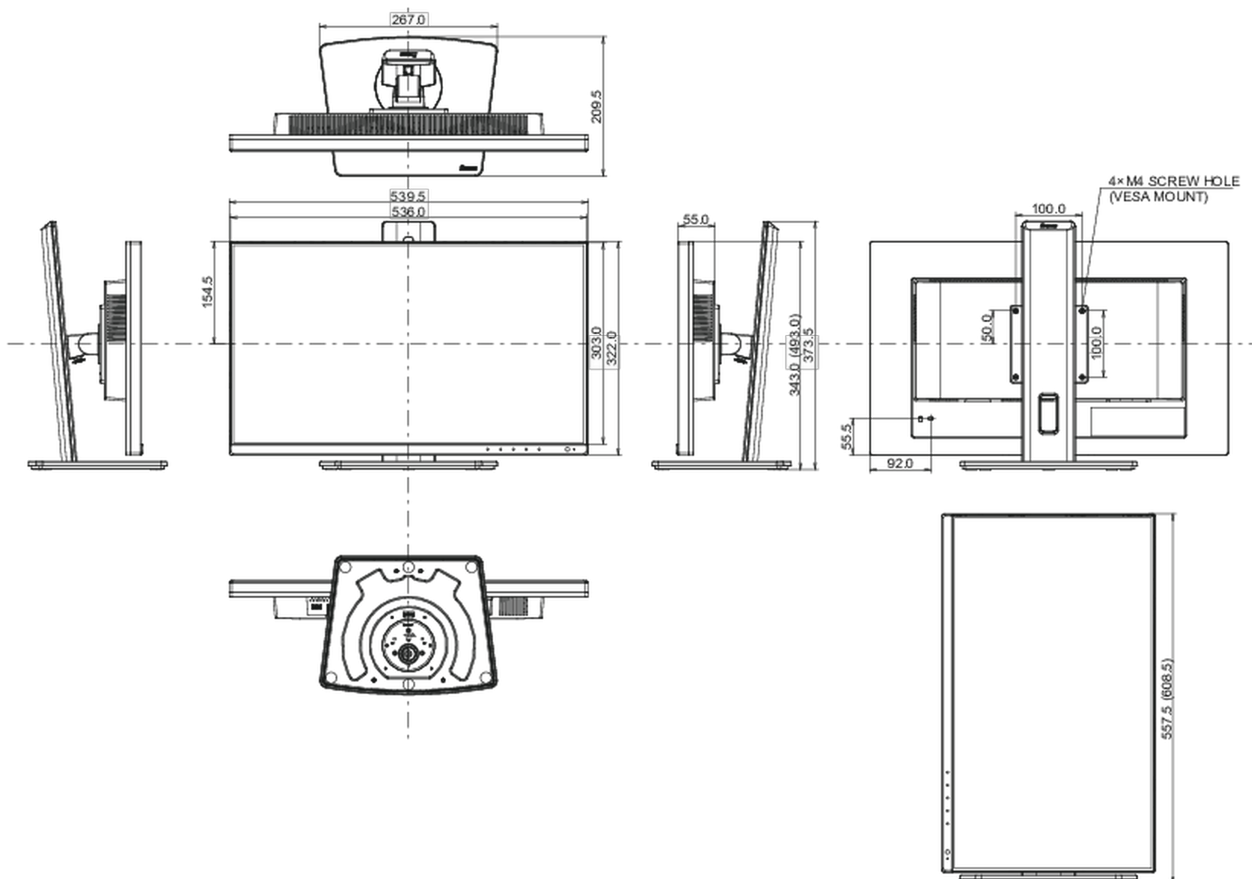
Power supply unit	internal
Power supply	AC 100 - 240V, 50/60Hz
Power usage	17W typical, 0.35W stand by, 0.3W off mode

07 SUSTAINABILITY

Regulations	CE, TÜV-Bauart, EAC, VCCI-B, PSE, RoHS support, ErP, WEEE, REACH, ENERGY STAR® *, UKCA
Energy efficiency class (Regulation (EU) 2017/1369)	D
REACH SVHC	above 0.1%: Lead

08 DIMENSIONS / WEIGHT

Product dimensions W x H x D	539.5 x 343 (493) x 209,5mm
Box dimensions W x H x D	624 x 395 x 168mm
Weight (without box)	5.8kg
Weight (with box)	7.6kg
EAN code	4948570121489



All trademarks and registered trademarks acknowledged. E & O E. Specification subject to change without notice. All LCD's comply with ISO-9241-307:2008 in connection with pixel defects.